

Mains voltage disconnect terminal block P&R Plug - 3 pole

Material: Housing: PBT, flammability rating : UL-94-V0
Contacts: Cu

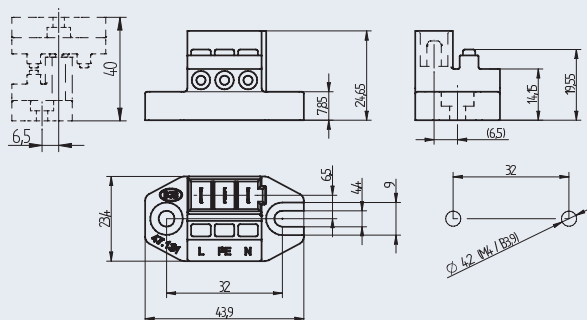
- Push-wire contact including release button
- Reverse polarity protection
- Up to 5 mating / unmating cycles hot plugging
- Tracking resistance: Level 3
- Total height: socket and plug: 40.5 mm

Technical data for part no. **47.131.2001.80**

Wire ends	Solid wire ends: 0.5 - 4.0 mm ²
	Stranded wire ends 0.5 - 1.5 mm ² with ferrule (Ferrule Ø 0.8 - 2.25 mm)
Insulation	max. Ø 5 mm
Stripping length	10 mm
Voltage rating	250 V AC / 300 V DC
Rated impulse voltage	tbc
Current rating	6 A per contact
Operating temperature	-40 °C up to 125 °C
Approvals	in preparation (IEC 61984)

Packaging data for part no. **47.131.2001.80**

Weight per piece	13.4 g
Quantity per tray	45 pieces
Weight of tray	
Trays per cardboard	8 pieces
Total quantity	360 pieces
Dimensions cardboard (L x B x H)	350 x 305 x 240 mm
Total weight	6 kg



**PRELIMINARY
DATA SHEET**



Mains voltage disconnect terminal blocks are designed to automatically disconnect the internal wiring from the main supply inside the street lighting fixture. This will help the technicians to safely do cleaning/maintenance of the luminaire.

