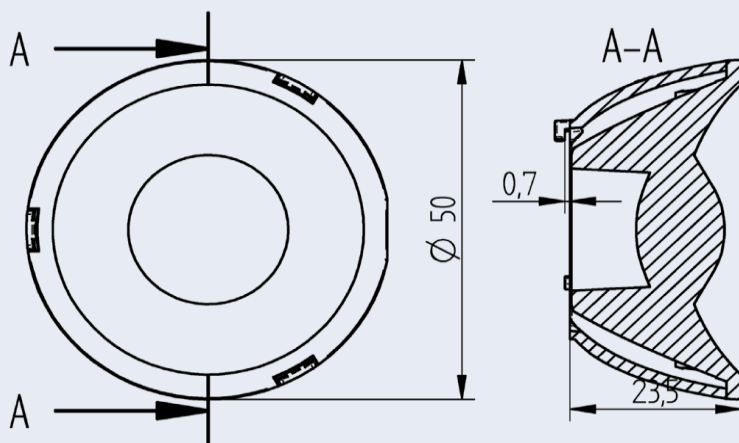


OptiSpot Lens Ø 50 mm - Wide Flood

35.250 - OptiSpot Lens for use with COB connectors 47.360 Ø 35 mm



Part no.

35.250.2004-0

OptiSpot Lens Ø 50 mm - Wide Flood

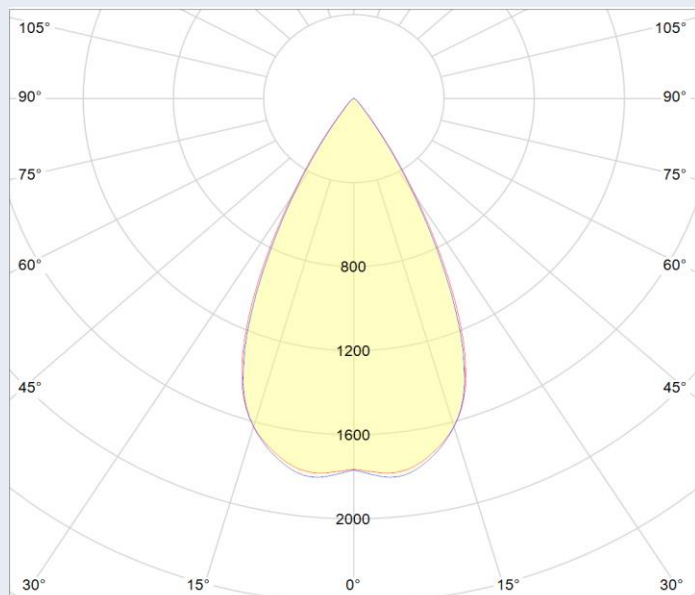
Bayonet fixing by Twist & Lock action

Light distribution: Wide Flood

OptiSpot Lens is optimized for use with connectors **47.360** with Ø 35 mm.*

Specification	
Top diameter	50 mm
Height	23,50 mm
Material holder	PC
Material lens	PMMA
Max. temperature	80°C
Weights	28,3 g
Light distribution	Wide Flood
Beam angle* (FWHM)	50°
Efficiency*	84,9%
Recommended COB Type	Citizen CLU02J

*Light distributions change with choice of LED type, measured with COB Citizen CLU02J and BJB connector 47.360.1020-0



Beam angle (FWHM) measured with Citizen CLU02J and connector **47.360.1020-0**

Beam angle (FWHM): 50° Efficiency: 84,9%

Light distribution and beam angle depend on the COB used and its LES.