

1R linear 2D fresnel lens optics

Single row, flat fresnel lens optics 280mm x 40mm
Material: PC

1-Click push-in fixing into luminaire metall sheet and aluminium profiles

for metall sheets: 0.5 - 1.0 mm

- Centering pins for mounting and optimal alignment of optics and LED module
- Centering pins also as anti rotation protection
- Spacers for correct positioning and alignment of LED module to the lens
- Key and slot system for a gapless assembly of the optics
- Only one end cap for both ends

Suitable for different lengths of LED modules from 280 mm (1ft) to 560 mm (2ft).
Compatible with freely available LED modules with width of 20 - 24 mm and module thickness of 1.6 mm

Area of application:

For use in linear- and panel lights
Office: Work place lighting and corridor lighting
Shop: General lighting and corridor lighting
Industry: Park stores, department stores and warehouses
Public Areas: Corridors and stairways

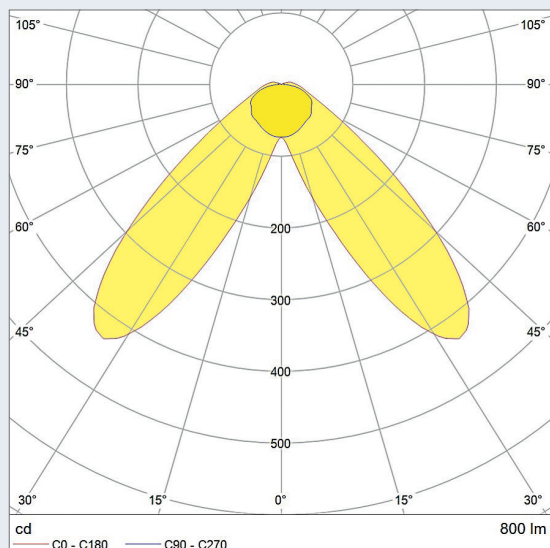
- Improved visibility and contrast of the illuminated areas
- Good and uniform light distribution
- Reduced glare

wt. pkg. part no.
55 g 108 **35.301.1031.85**

Height	11.9 mm
Width	40 mm
Length	283.2 mm
Type of fixing	Push-in fixing into luminaire housing or aluminium profile
LED type	2835, 3014, 3030, 5630
Material	PC
Colour	clear satined
Light distribution	double asymmetric
Optical efficiency	91% (Philips Fortimo LED Strip OC)
Operating temperature	max. 110 °C

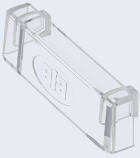
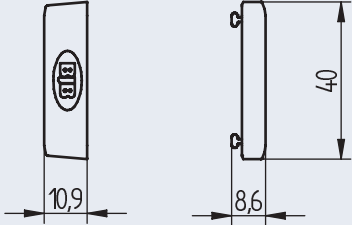
The presented information are for reference only. All lighting parameters are typical values.
The light distribution depends on the used LED type, position tolerance, chip size and used colour.

Light distribution with Philips Fortimo LED Strip OC



Light distribution: Double asymmetric measured with Philips Fortimo LED Strip OC

Efficiency: 91%

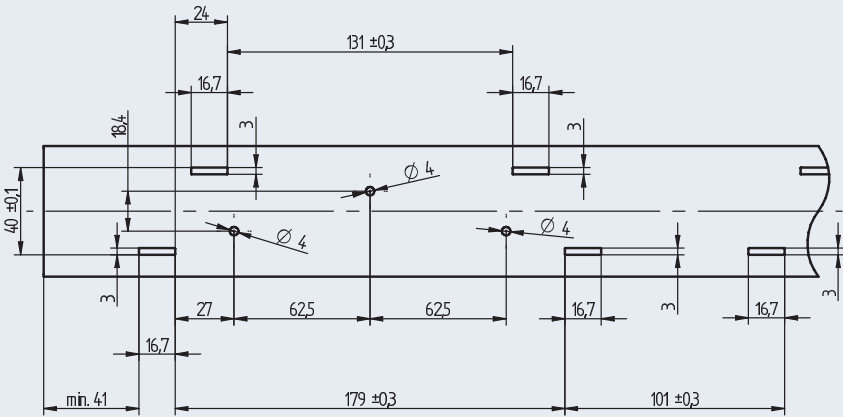



End cap
for use with single row optics **35.301.1028 - 1032**

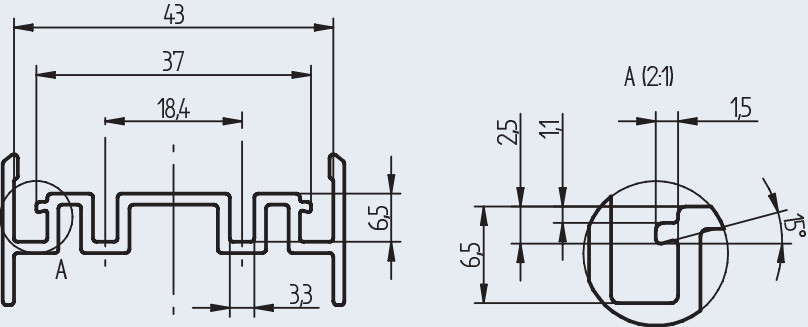
Slide in fixing

- Only 1 end cap for both sides
- Suitable for all LED module thicknesses
- Applying of customised logos possible
- Material: PC

wt.	pkg.	part no.
2 g	40	35.903.-301.85



Cut-out metal sheet



Aluminium-Profile