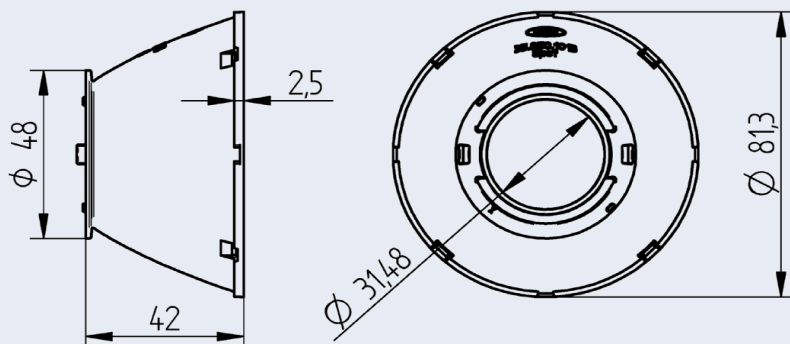


OptiSpot Reflector Ø 81.3 mm - Spot

35.850 - Optispot Reflector for use with COB connectoers 47.360 / 47.319 with Ø 50 mm



Part no.
35.850.1013.56

OptiSpot Reflector Ø 81.3 mm - Spot

Bayonet fixing by Twist & Lock action

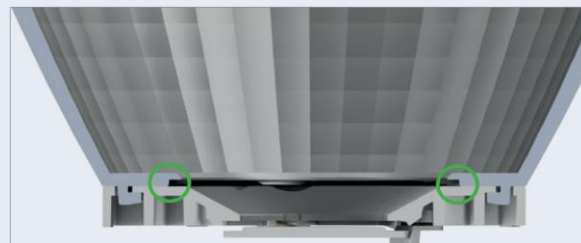
Light distribution: Spot

Reflector is optimized for use with connectors **47.319.2013 / 2021 / 2025 / 2026 / 2345** and **47.360.5010.50** with Ø 50 mm.*

- Reflector interface is adapted to the mixing cone of the connector
- Possibly visually disruptive openings of the connector are partly covered

Please do not touch the reflector inside with bare fingers.

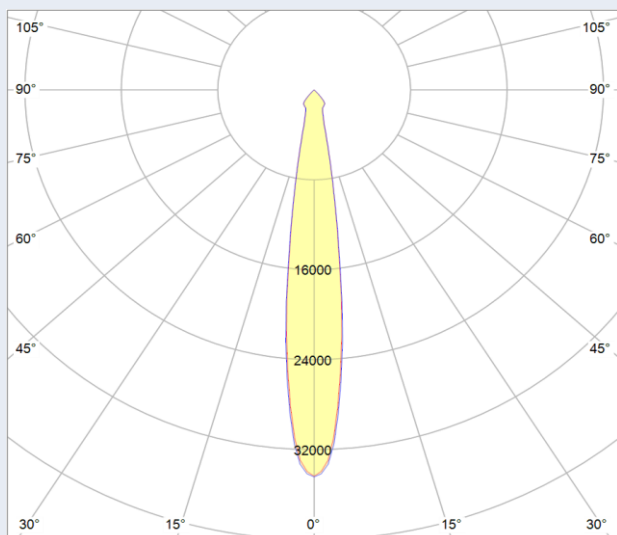
It should be noted that the upper cone diameter of the mixing chamber of the connector must be smaller than the opening diameter of the reflector (here Ø 31.4 mm), so that an undercut is avoided (pictures below).



Specification	
Ø on top	81.3 mm
Height	42 mm
Ø below	31.48 mm
Material	PC, Aluminium coated
Max. temperature	100°C
Weights	21.5 g
Light distribution	Spot
Beam angle* (FWHM)	15°
Efficiency*	87%
Recommended COB Type	COBs with LES < 17mm

*Light distributions change with choice of LED type, measured with COB Citizen CLU038-1208C4 and BJB connector 47.319.2025.50.

* The reflector can also be combined with other connectors Please contact us for more



Beam angle (FWHM) measured with Citizen CLU038 and connector **47.319.2025.50**.

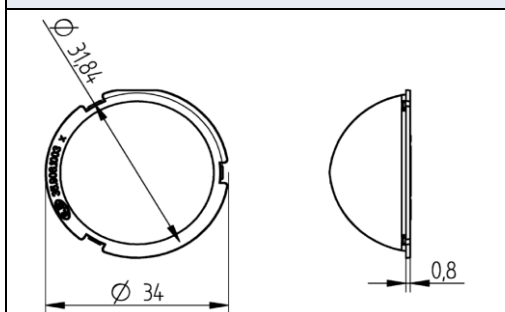
Beam angle (FWHM): 15° Efficiency: 87%

Beam angle depends on used COB and its LES.

OptiSpot Reflector Ø 81.3 mm - Spot

35.850 - Optispot Reflector for use with COB connectoers 47.360 / 47.319 with Ø 50 mm

Effect on the beam angle and the efficiency of the reflector when combined with a cover plate, diffuser plate or diffusor lens (measured with COB Citizen CLU038 and COB connector 47.319.2025.50). The values are for reference only



Beam angle with reflector 35.850.1013.56	TBD
Efficiency with reflector 35.850.1013.56	TBD
Material	PMMA
Max. temperature	80°