

Diffuse cover 14.9 mm

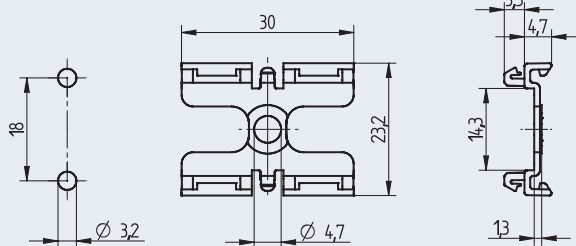
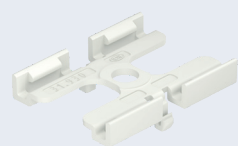
Material: PMMA

Snap-in fixing into holder 31.930.-321

- Extremely slim
- For use directly above LED module
- No additional profile for guidance required
- Standard length: 560 and 1.125 mm
- Compensation of thermal changes in length
- Uniform light distribution

- Additional version on request

part no.	Color	Height	Width	Length	Type of fixing	Material	Surface outside	Optical efficiency
31.930.-431.89	diffuse	14.9 mm	24.3 mm	560 mm	Snap in fixing into holder	PMMA	plain	~ 92%
31.930.-432.89	diffuse	14.9 mm	24.3 mm	1.125 mm				
31.930.-433.89	diffuse	14.9 mm	24.3 mm	650 mm	Snap in fixing into holder	PMMA	plain	~ 92%
31.930.-434.89	diffuse	14.9 mm	24.3 mm	1.200 mm				
31.930.-435.89	diffuse	14.9 mm	24.3 mm	1.500 mm	Snap in fixing into holder	PMMA	plain	~ 92%
31.930.-439.89	diffuse	14.9 mm	24.3 mm	2.000 mm				



pkg 700 wt. 2 g part no. 31.930.-321.51


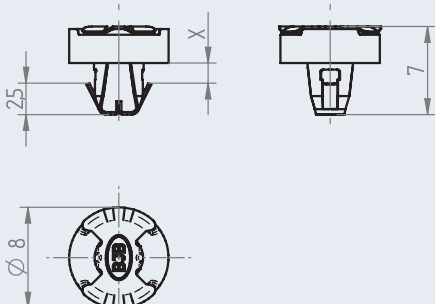
Holder for diffuse cover and 14 mm wide LED modules

Material: PC

Easy and quick assembly via standard P2F (Push to Fix) 28.901 or standard screws M3

- Easy, quick and secure fixing of diffuse cover via snap-in fixing from above
- Universally applicable - no defined hole distance
- Assembly of LED module and holder in just one step

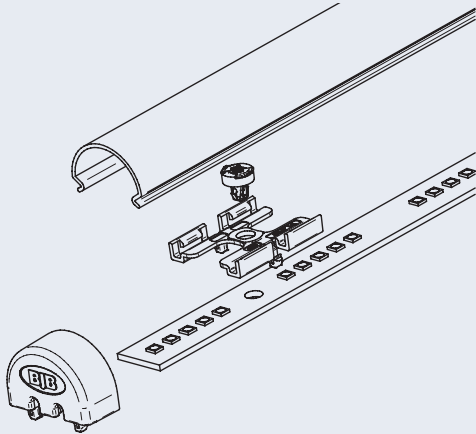

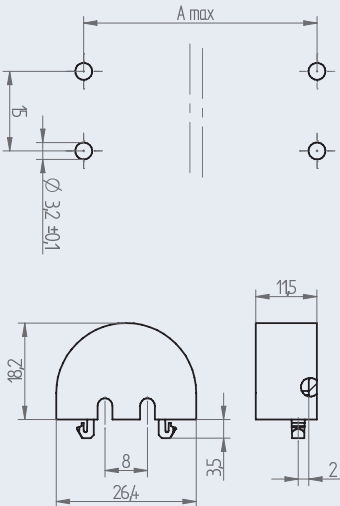
Recommended number of holders: 3 pieces at 560 mm length of LED module

Color	pkg.	wt.	part no.	Overall thickness
gray	5000	2 g	28.901.U164.10	2.4 - 2.7 mm
white	5000	2 g	28.901.U165.10	2.7 - 3.2 mm
blue	5000	2 g	28.901.U166.10	3.2 - 3.6 mm

Push-to-Fix (P2F) -Fixing element
 Push-in fixing for mounting LED modules and BJB- Optic holder into a luminaire housing
 Material: CrNi with silicon ring
 Constant and reliable pressure by means of elastical silicone
 Contact pressure: min. 10 N
 Push-in fixing: for hole pattern in light fitting $\varnothing 4.2 \pm 0.1$ mm and $\varnothing 4.7 \pm 0.1$ mm in PCBs

- Quick assembly process improves production efficiency and reduces production costs
- Eliminates potential damage from screw fixing due to low insertion force
- CrNi and silicone materials ensure long life reliability
- Reliable heat dissipation due to a constant pressure
- Suitable for Zhaga certified LED modules. BJB recommends to use modules with 4.7 mm fixing hole diameter
- Assembly without any additional tools possible
- Solutions for Automation upon request
- Removable from front

pkg.	wt.	part no.-Nr.	
700	2 g	31.930.-313.50	white
700	2 g	31.930.-313.89	transparent

End cap to close 14 mm LED-Systems

Snap-in fixing
 Material: PC

- Smooth surface
- Suitable for wires up to $\varnothing 2,5$ mm
- For metall sheet thickness: 0.8 - 1.2 mm