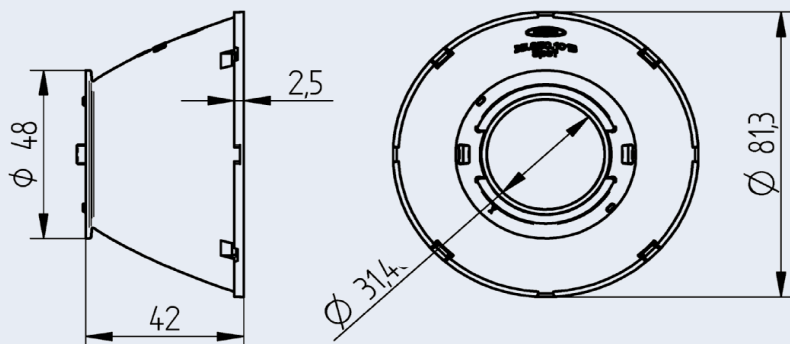


OptiSpot Reflector Ø 81.3 mm - Spot

35.850 - Optispot Reflector for use with COB connectors 47.360 / 47.319 with Ø 50 mm



Part no.
35.850.1013-0

OptiSpot Reflector Ø 81.3 mm - Spot

Bayonet fixing by Twist & Lock action

Light distribution: Spot

Reflector is optimized for use with connectors 47.319.2013 / 2021 / 2025 / 2026 / 2345 and 47.360.5010-0 with Ø 50 mm.*

- Reflector interface is adapted to the mixing cone of the connector
- Possibly visually disruptive openings of the connector are partly covered

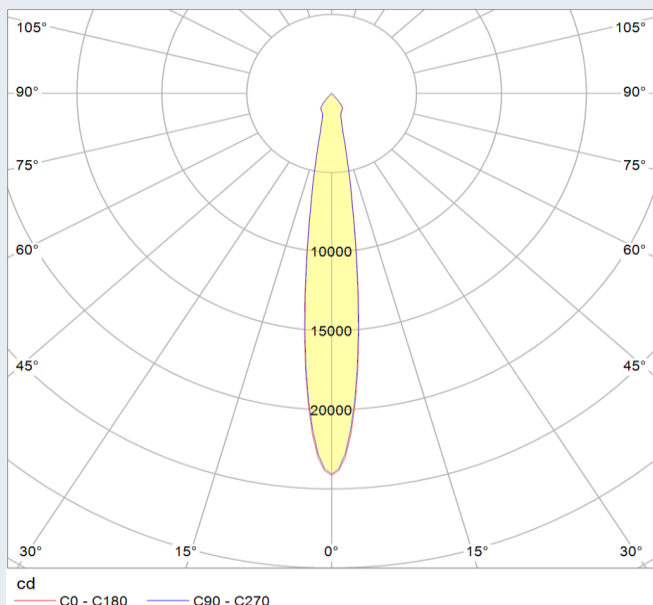
Please do not touch the reflector inside with bare fingers.

It should be noted that the upper cone diameter of the mixing chamber of the connector must be smaller than the opening diameter of the reflector (here Ø 31.4 mm), so that an undercut is avoided (pictures below).



Specification	
Ø on top	81.3 mm
Height	42 mm
Bottom reflector opening	31.4 mm
Material	PC, Aluminium coated
Max. temperature	100°C
Weights	21.2 g
Pkg.	224

* The reflector can also be combined with other connectors Please contact us for more



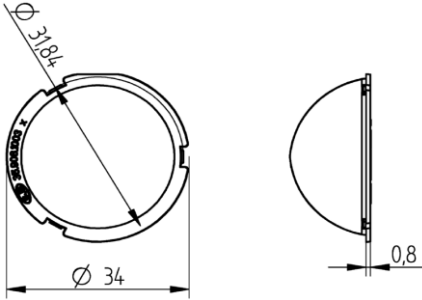
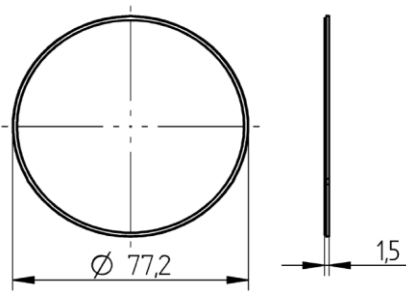
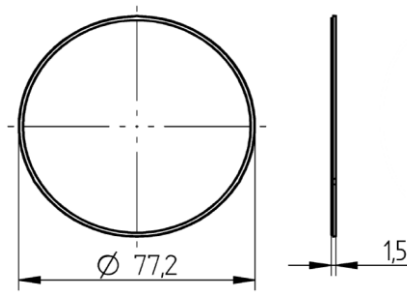
Photometric data	
Light distribution*	Spot
Beam angle* (FWHM)	15°
Efficiency*	89%
Recommended COB Type	COBs with LES < 17mm
Measured with COB	Citizen CLU03J-1208C9-402M2U1
Measured with COB-holder	47.319.2025-0

*Light distribution, beam angle and efficiency are dependent on the COB in use and its LES.

OptiSpot Reflector Ø 81.3 mm - Spot

35.908 Accessories and modular system

Effect on the beam angle and the efficiency of the reflector when combined with a cover plate, diffuser plate or diffuser lens (measured with COB Citizen CLU03J and COB connector 47.319.2025-0). The values are for reference only

Diffusor lens 35.908.1003-0		Cover plate 35.908.1012-0		Diffusor plate 35.908.1012-1	
					
Beam angle with reflector 35.850.1013-0	19	Beam angle with reflector 35.850.1013-0	15°	Beam angle with reflector 35.850.1013-0	28°
Efficiency with reflector 35.850.1013-0	88%	Efficiency with reflector 35.850.1013-0	86%	Efficiency with reflector 35.850.1013-0	85%
Material	PMMA	Material	PC	Material	PC
Max. temperature	80°	Max. temperature	100°C	Max. temperature	100°