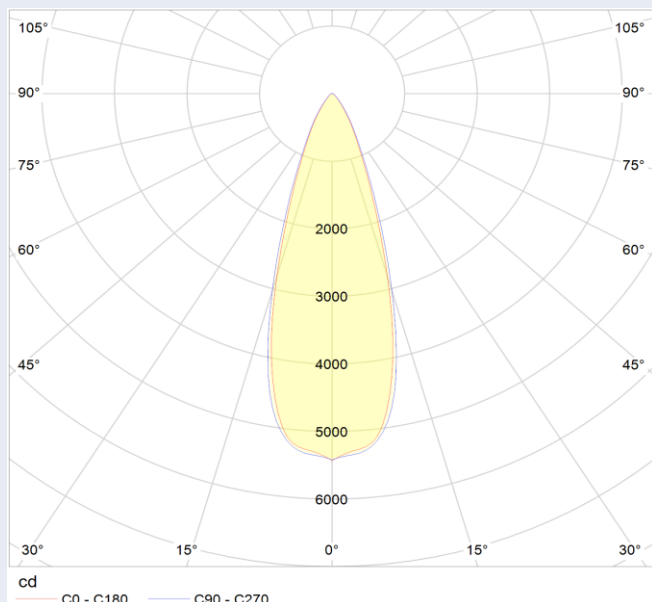


Part no.
35.333.1011-0

OptiLine 3x11 Low Glare Narrow

- Uniform light distribution due to optimized microstructure on the surface reduced glare
- Optics für 3x11 LED modules based on Zhaga book 7
- Fitting for 280 mm (1ft) & 560 mm (2ft) LED modules
- Groove and spring system for seamless assembly of the optics
- Assembly with BJB P2F for Optics (28.905) or screws M4 (1,2N)
- Only one end cap for both sides

Specification	
Height	10,05 mm
Width	61 mm
Length	284,25 mm
Screw fixing	M4 with 1,2 Nm
Type of fixing	P2F (28905) 10 N
For LED dimensions	2835, 3030
Material	PC
Colour	clear
Operating temperatur	max. 110°
IP protection class	IP40
Weight	76,8 g
Packaging	138

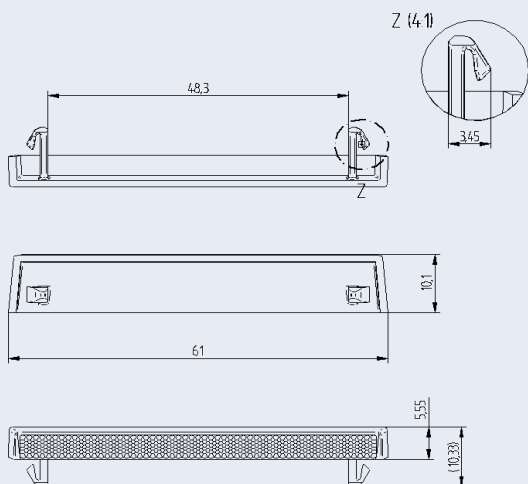


Photometric data	
Measured with LED Type	Samsung LM301B
Beam angle (FWHM)*	32° / 33°
UGR @ 1100 lm, 1 ft (crosswise)	≤ 16
Efficiency*	96%

*Light distribution, beam angle and efficiency are dependent on the LED in use.

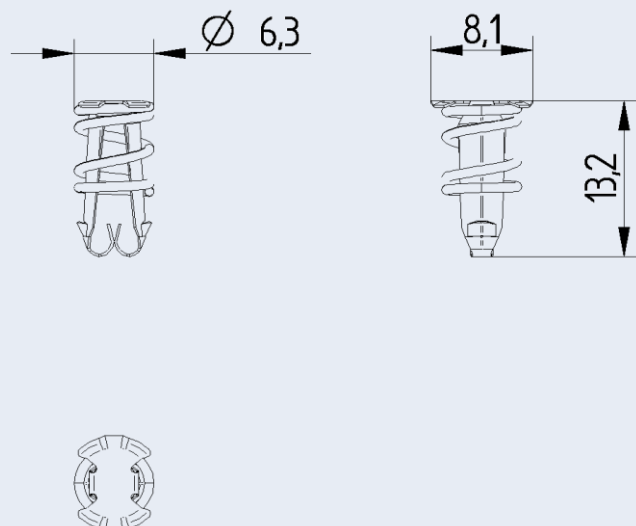
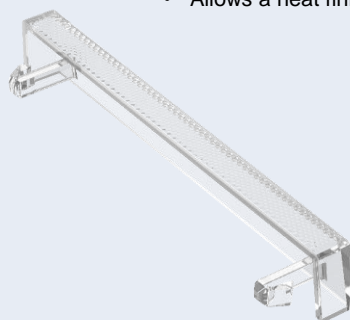
OptiLine 3x11 Low Glare

3x11 Optics - End cap, P2F Fixing element for optics



End cap 35.903.1007-0

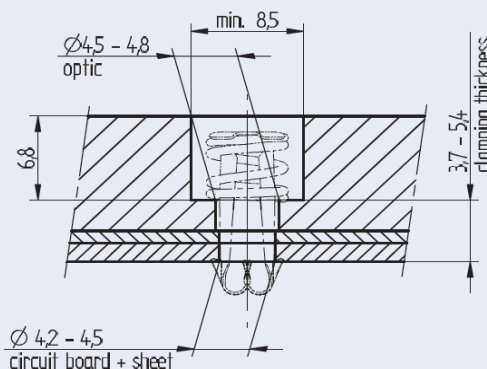
- Only one end cap for both sides
- Easy to clip into the optic
- Allows a neat finish of the luminaire



P2F (Push to Fix) Fixing element for optics

With the optics P2F, which is available as an accessory, both the circuit board and the optics can be attached simply, quickly and securely with one click.

- Just one step for assembling optics and LED module
- Easy, quick and secure assembly by pressing down the P2F fixing element
- Reliable heat dissipation due to constant contact pressure 10 N/P2F
- Total thickness: 3.7 up to 5.4 mm



3 x 11 Optics with pre-fixed fixing element P2F 28.905.U101-0 for direct mounting available

