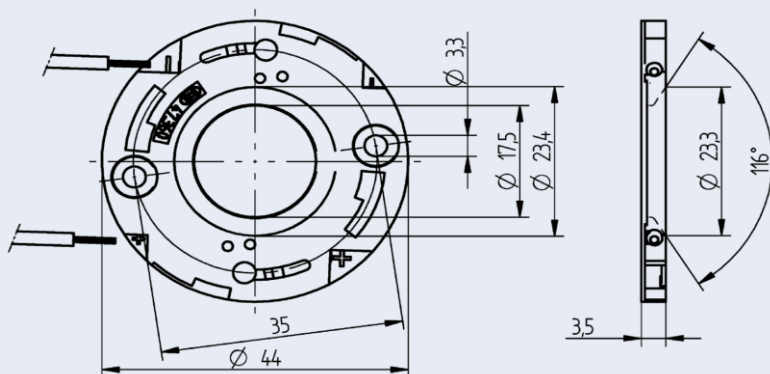


COB Connector Slim

47.360 COB Connector Slim Ø44 LED array 19 x 19



technology for light



Part no.

47.360.5010-0

- Compact Design
- High-Strength Housing
- Durable Contacts
- Flexible Connectivity
- COB Pre-fixation
- Accessory Integration
- Clear Markings

Polarity of LED must be observed
 Specifications of LED manufacturer must be observed
 cURus: For limited applications

Mechanical data	
Screw fixing	M 3
Max. torque	0.5 Nm
Alternative with P2F for blind holes	28.902.E102-0
Integrated interface for reflectors	Yes
Material data	
Material housing	PBT
Material contacts	CuSn
Electrical data	
	VDE (EN60838-1)
Current rating	3 A
Voltage rating	150 Vdc
Connection data	
Connection technology	push-in terminals
Solid wires	0.35 - 0,5 mm ² AWG 22 - 20
Stranded , tinned wires	0.35 - 0.5 mm ² AWG 22 - 20
	max. 1.05 mm
Strip length	8 +1 mm
Country specific certificates	
VDE certificate	40047483
UL file number	E345385
Commercial data	
Packaging quantity	540
Weight	3 g
Environmental requirements	
Operating temperatur range	-30 to +110°C

Specification of LED manufacturer must be observed

In a series connection of LED modules, the air gap and creepage distances has to be sized that each modules cover the total voltage of the series connection

COB compatibility list see BJB website

<https://www.bjb.com/en/cob-connector-slim-oe44-led-array-19x19/47.360.5010.50>

*Warranty conditions of BJB GmbH & Co. KG as stated as available via the Internet under <https://www.bjb.com/en/legal-information/general-terms-and-conditions/> are valid.