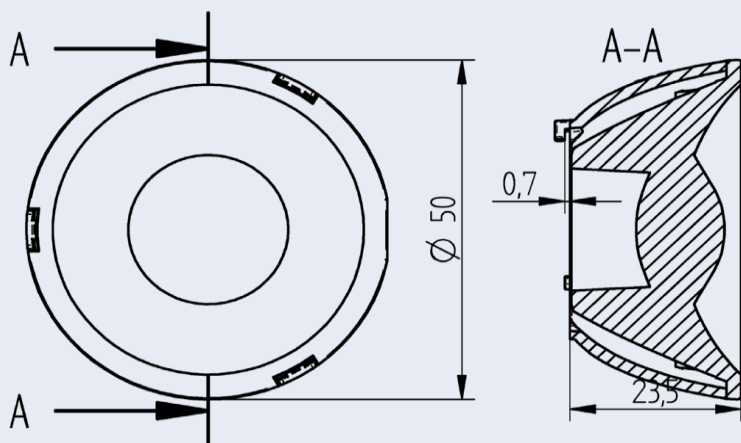


OptiSpot Lens Ø 50 mm - Flood

35.250 - OptiSpot Lens for use with COB connectors 47.360 Ø 35 mmm



Part no.
35.250.2003-0

OptiSpot Lens Ø 50 mm - Flood

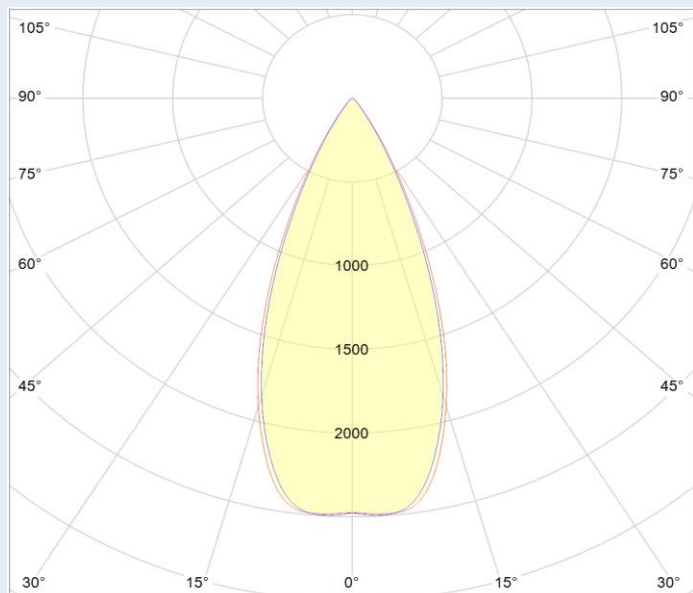
Bayonet fixing by Twist & Lock action

Light distribution: Flood

OptiSpot Lens is optimized for use with connectors 47.360 with Ø 35 mm.*

Specification	
Top diameter	50 mm
Height	23,50 mm
Material holder	PC
Material lens	PMMA
Max. temperature	80°C
Weights	30,8 g
Light distribution	Flood
Beam angle* (FWHM)	41°
Efficiency*	88%
Recommended COB Type	Citizen CLU02J

*Light distributions change with choice of LED type, measured with COB Citizen CLU02J and BJB connector 47.360.1020-0



Beam angle (FWHM) measured with Citizen CLU02J and connector 47.360.1020-0

Beam angle (FWHM): 41° Efficiency: 88%

Light distribution and beam angle depend on the COB used and its LES..