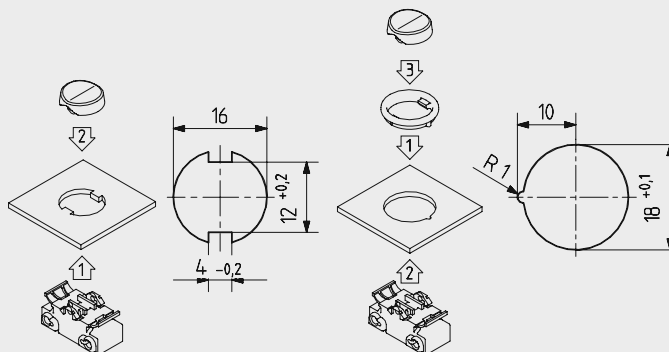




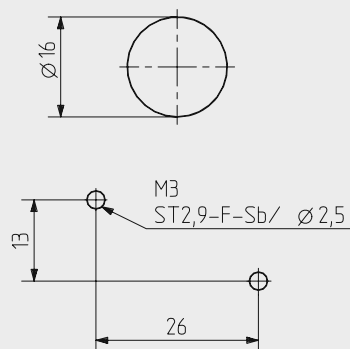
Examples of application: Snap in fixing

- Can be snapped into plastic or metal, material thickness 0.5 - 1.0 mm. The switch housing snaps into the cut out. The rocker then snaps in.

- Snap in fixing with bezel ring for round rocker. The bezel ring locates in the cut out (material thickness 0.8 - 1.3 mm), The switch housing snaps into the bezel ring, The rocker then snaps in.



Example of application: Screw fixing (here with round rocker)



Further examples of application:

- Slide mounting into a cut out.
- Location onto 2 pins. [2 holes \varnothing 2 mm are located underneath the housing].

Further details available upon request.

