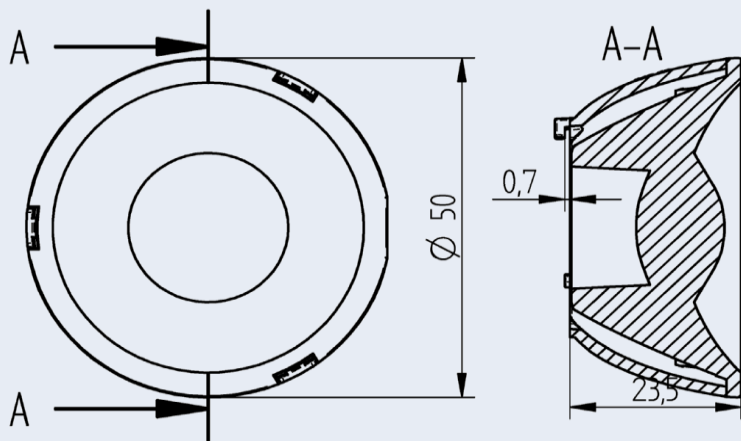


# OptiSpot Lens Ø 50 mm - Medium

35.250 - OptiSpot Lens for use with COB connectors 47.360 Ø 35 mmm



Part no.  
35.250.2002-0

**OptiSpot Lens Ø 50 mm - Medium**

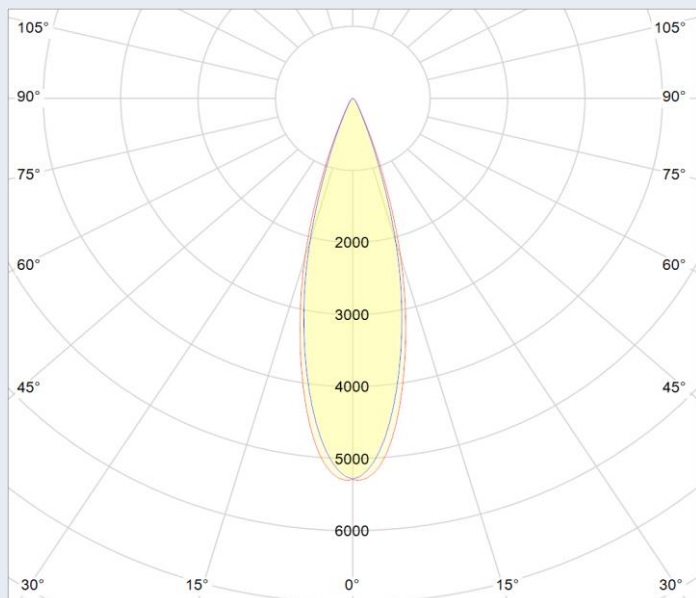
**Bayonet fixing by Twist & Lock action**

**Light distribution: Medium**

OptiSpot Lens is optimized for use with connectors 47.360 with Ø 35 mm.\*

Specification	
Top diameter	50 mm
Height	23,50 mm
Material holder	PC
Material lens	PMMA
Max. temperature	80°C
Weights	30,8 g
Light distribution	Medium
Beam angle* (FWHM)	27°
Efficiency*	88,4%
Recommended COB Type	Citizen CLU02J

\*Light distributions change with choice of LED type, measured with COB Citizen CLU02J and BJB connector 47.360.1020-0



Beam angle (FWHM) measured with Citizen CLU02J and connector **47.360.1020-0**

Beam angle (FWHM): 27° Efficiency: 88,4 %

Light distribution and beam angle depend on the COB used and its LES.