

pkg. wt. part no.
1000 0.2 g **46.110.E702-0**

**SMD Pico-B2B-Connector
1 pole**

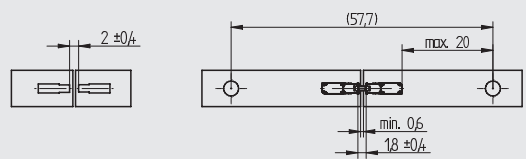
To combine with SMD terminal blocks Pico **46.110.1001-0**
and for connecting printed circuit boards

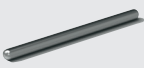
Material: Brass, tin plated (CuZn 35)
Max. temperature: -40° C up to + 105° C

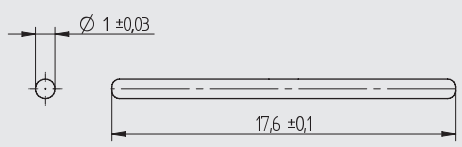
Current: 9A

- Push in fixing: Quick, easy and tool free connection of LED modules
- Cost and times time saving connection of LED modules
- Reverse polarity protection
- No disturbing wires in the light cone

Anwendungsbeispiel
Example of application







pkg. wt. part no.
1000 0.2 g **46.110.E703-0**

**SMD Pico-B2B-Connector
1 pole**

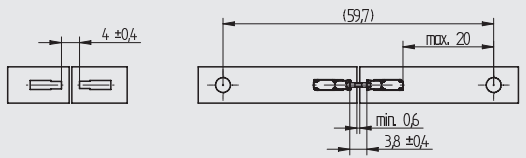
To combine with SMD terminal blocks Pico **46.110.1001-0**
and for connecting printed circuit boards

Material: Brass, tin plated (CuZn 35)
Max. temperature: -40° C up to + 105° C

Current: 9A


- Push in fixing: Quick, easy and tool free connection of LED modules
- Cost and times time saving connection of LED modules
- Reverse polarity protection
- No disturbing wires in the light cone

Anwendungsbeispiel
Example of application




Suitable for:

SMD terminal blocks Pico




46.110.1001-0



Example of application:

First insert the connection element into the SMD terminal block of the first module and then axially into the opposite SMD terminal block of the following module

Accessories: Contact opening tool **46.110.U801-0**



suitable for SMD terminal blocks Pico **46.110.1001-0**

- Opens the contacts for removal of already inserted cables
- To open contacts for inserting finely stranded wires